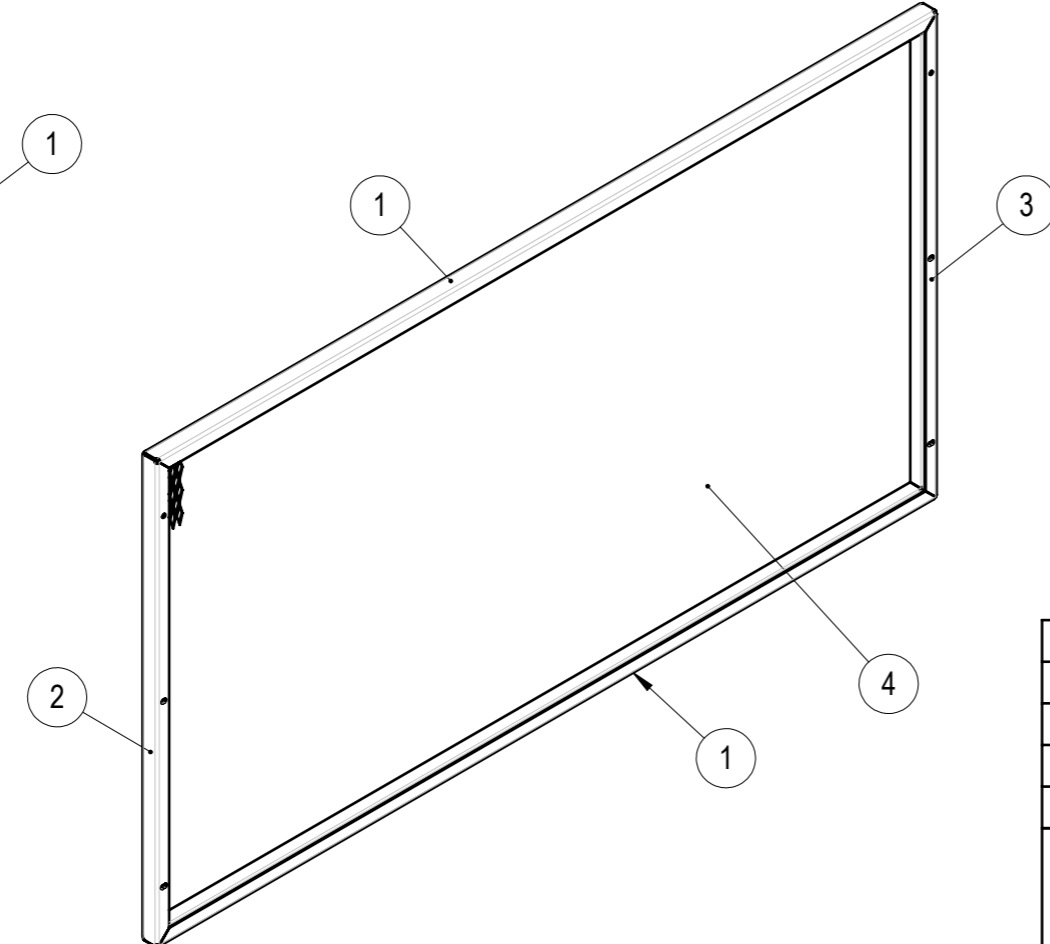
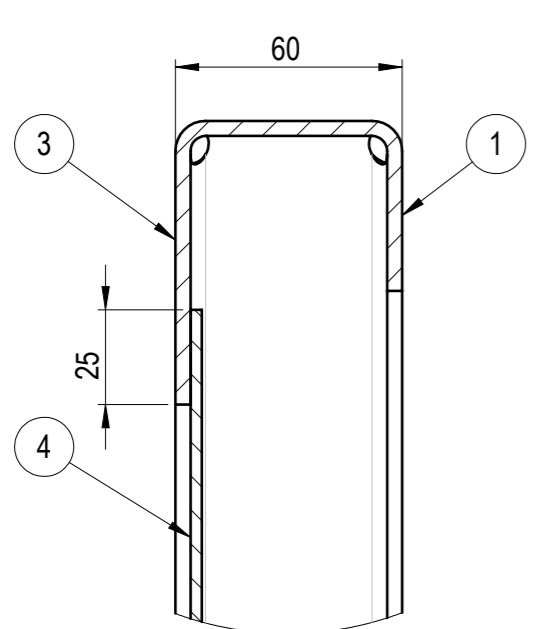
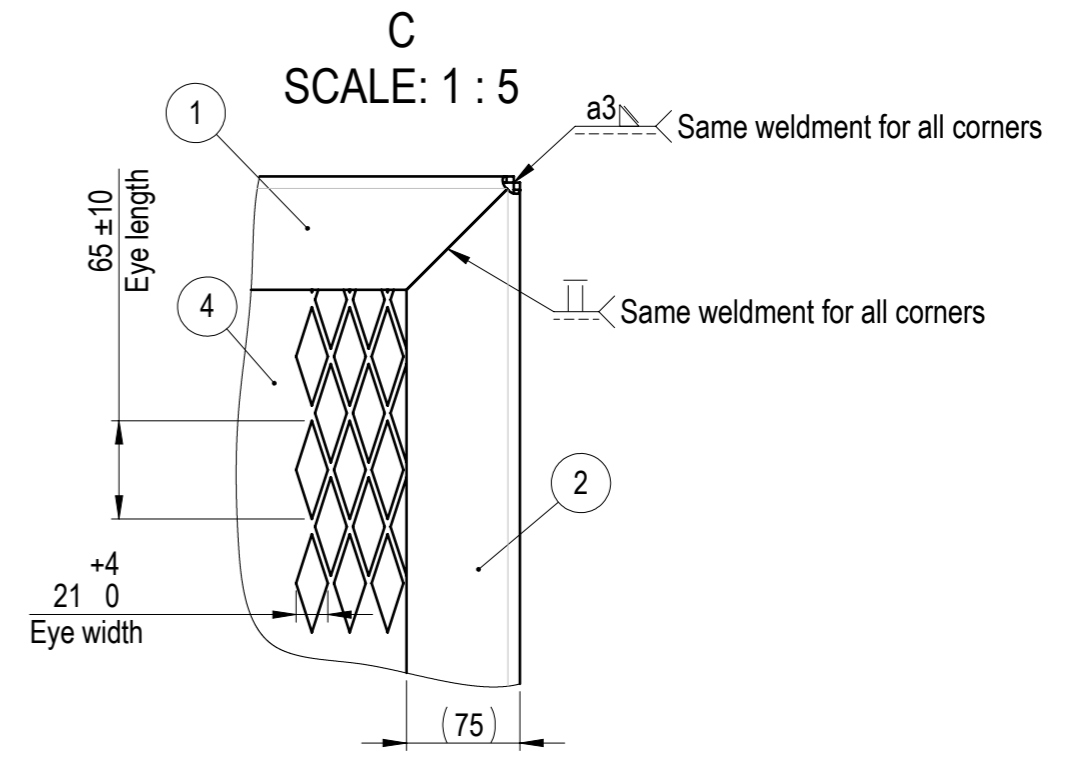


B  
SCALE: 1 : 2

C  
SCALE: 1 : 5



NO.	PART NO	DESCRIPTION	MATERIAL	PROCESSING	REVISION	WEIGHT	QTY
1	105-60303-01	Panel 1 Frame beam 1	S355J2	LCB		14.94	2
2	105-60303-02	Panel 1 Frame beam 2-1	S355J2	LCB		7.95	1
3	105-60303-03	Panel 1 Frame beam 2-2	S355J2	LCB		7.95	1
4	105-60303-04	Expanded mesh sheet	S235JR	CND		45.00	1

<b>WEMPS</b> ENGINEERING SERVICES	MATERIAL	WEIGHT	DEBURR AND BREAK SHARP EDGES DO NOT SCALE DRAWING		REVISION	DATE	
	SURFACE PROTECTION	MACHINING	THERMAL CUTTING	WELDING	SCALE	FORMAT	
	HDG + G3.02 EN ISO 12944	ISO 2768 mK	ISO 9013 221	ISO 13920 BF	1:20	A3	
NAME	SIGNATURE	PART NO. 105-60303-00					
Designed by	SEKO	DESCRIPTION					
Drawn by	D. Dislers	Rear panel					
Technical ref.						SHEET 1/1	